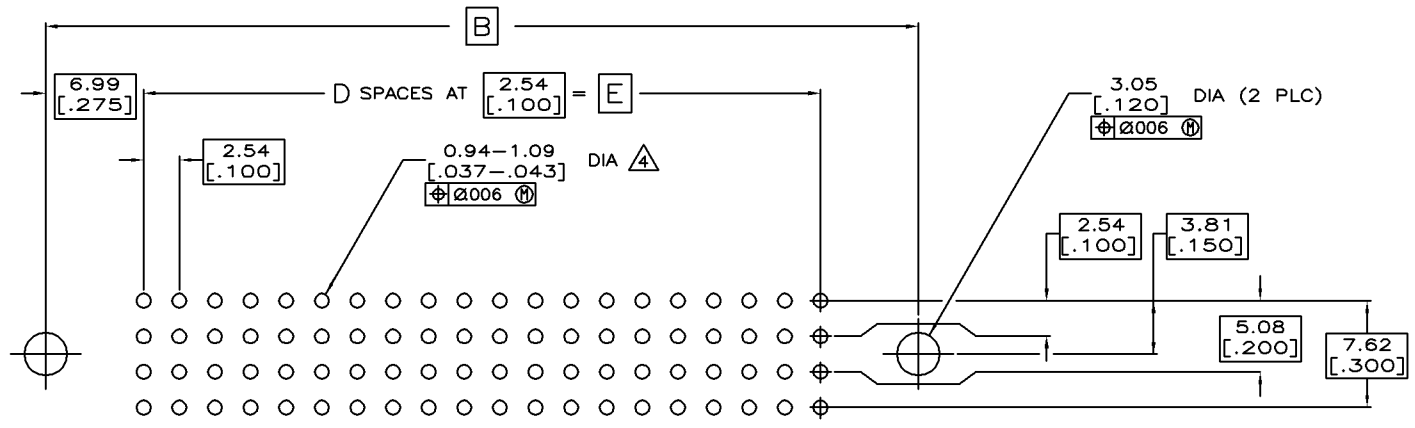
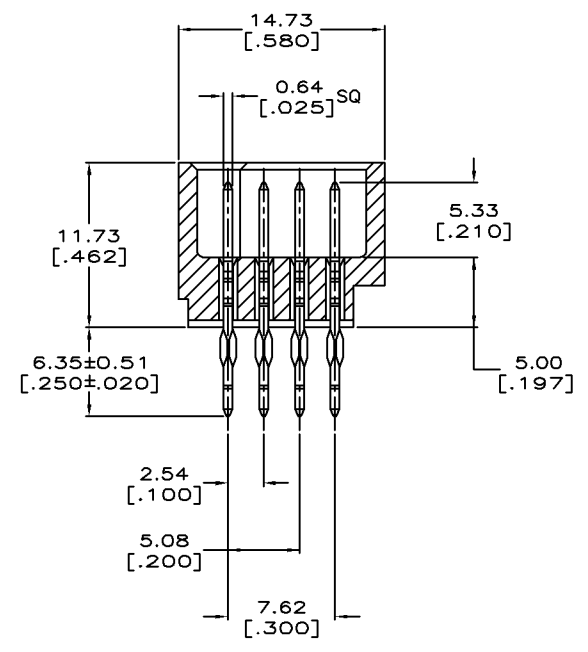
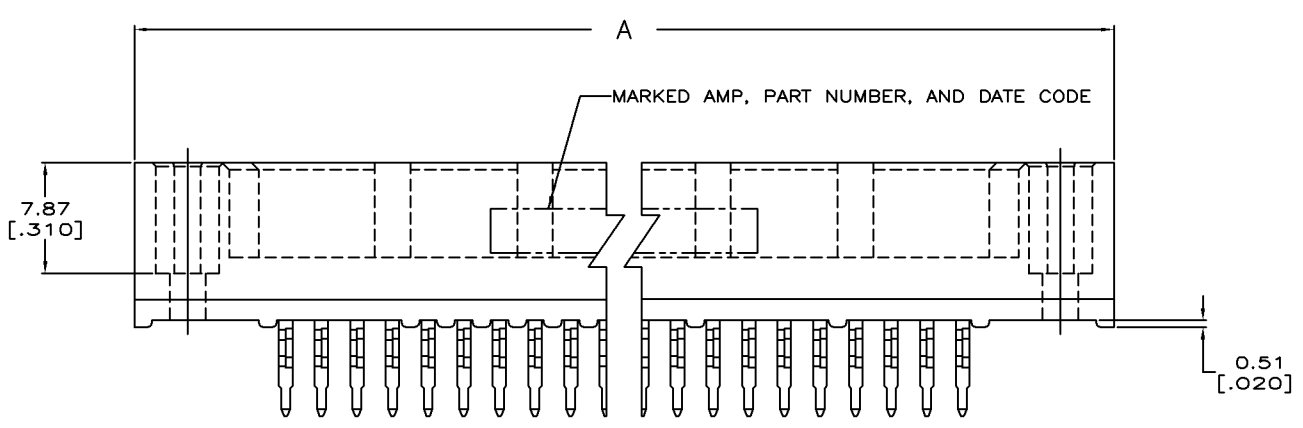
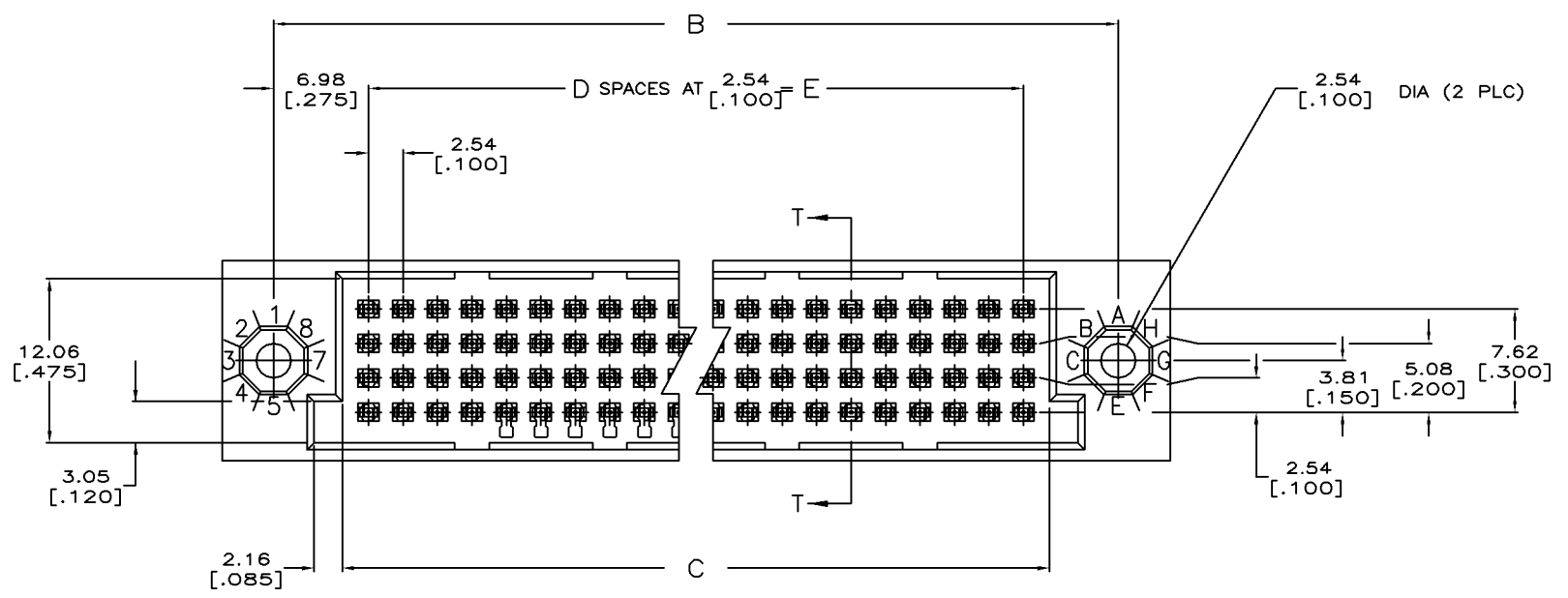


LOC		DIST		ZONE		LTR		REVISIONS		
AD	00	P	F					DESCRIPTION	DATE	APPD
							E	REDRAWN PER AD4218 & ADDED 2-532448-1 PER PPR 90-5248-016-1	1/29/91	TH
							F	PER EC 0564-95	T.S. 10-11-95	GS
							G	PER EC 0010-1248-95	T.S. 10-31-95	GS
							H	REV PER EC 001B-0131-01	12 OCT 01	WM
							J	REV PER EC 0S12-0458-02	04 MAR 03	WM
							J1	REVISED PER ECO-09-021826	08JAN10	AEG



RECOMMENDED P.C. BOARD LAYOUT

DO NOT SCALE PRINT. UNLESS SPECIFIED DIMENSIONS IN mm [INCHES]		DR 03/21/90 R.K. SEIFRIED		PART NO	
TOLERANCES ON:		CHK 1/29/91 W MILLHIMES		AMP AMP Incorporated Harrisburg, PA 17105-3808	
2 PLC DEC ± 0.13 [.005]		APPD 1/29/91 W MILLHIMES		NAME	
3 PLC DEC ± -		APPD 1/29/91 W MILLHIMES		HDI, 4 ROW, PIN ASSEMBLY, 6.35 [.250] LONG ACTION PINS, .00076 [.000030] GOLD PLATE	
ANGLES ± -		PRODUCT SPEC		SIZE	
MATERIAL		APPLICATION SPEC		CAGE CODE	
FINISH		WEIGHT		DRAWING NO	
				D 00779 532448	
				SCALE 4:1 SHEET 1 OF 2	

LOC	DIST	P	F	ZONE	LTR	REVISIONS	DATE	APPD
AD	00					DESCRIPTION		
						SEE SHEET 1		

- 1 HOUSING MATERIAL: THERMOPLASTIC, COLOR-BLACK.
- 2 CONTACT MATERIAL: PHOSPHOR BRONZE.
- 3 CONTACT FINISH: .00127-.00254 [.000050-.000100] NICKEL UNDERPLATE ALL OVER; .00076 [.000030] GOLD PLATE IN CONTACT AREA, TIN-LEAD PLATED POSTS.
- 4 ACTION PIN POSTS REQUIRE 2.36 [.093] MINIMUM THICK P.C. BOARD. RECOMMENDED P.C. BOARD HOLES ARE 1.151 [.0453] DIAMETER PLATED THRU 0.025-0.076 [.001-.003] COPPER, WITH 0.0076 [.0003] MINIMUM TIN-LEAD PLATING; FINISHED HOLE AFTER PLATING 0.94-1.09 [.037-.043] DIAMETER; AFTER REFLOW 0.91-1.09 [.036-.043] DIAMETER.
- 5. DIMENSIONS IN BRACKETS ARE IN INCHES.
- 6 HOUSINGS WITH CENTER MOUNTING IS RECOMMENDED FOR ASSEMBLIES HAVING 75 CONTACTS PER ROW OR MORE.
- 7 PART NUMBER IS OBSOLETE.
- 8 OBSOLETE PARTS: OBSOLETE CIS STREAMLINING PER D.RENAUD/D.SINISI

	12.70 [.500]	5	16.51 [.650]	26.67 [1.050]	34.29 [1.350]	24	2-532448-1
8 OBSOLETE	35.56 [1.400]	14	39.37 [1.550]	49.53 [1.950]	57.15 [2.250]	60	2-532448-0
	22.86 [.900]	9	26.67 [1.050]	36.83 [1.450]	44.45 [1.750]	40	1-532448-9
							1-532448-8
							1-532448-7
							1-532448-6
							1-532448-5
							1-532448-4
							1-532448-3
	187.96 [7.400]	74	191.77 [7.550]	201.93 [7.950]	209.55 [8.250]	300	1-532448-2
	175.26 [6.900]	69	179.07 [7.050]	189.23 [7.450]	196.85 [7.750]	280	1-532448-1
8 OBSOLETE	162.56 [6.400]	64	166.37 [6.550]	176.53 [6.950]	184.15 [7.250]	260	1-532448-0
	149.86 [5.900]	59	153.67 [6.050]	163.83 [6.450]	171.45 [6.750]	240	532448-9
	137.16 [5.400]	54	140.97 [5.550]	151.13 [5.950]	158.75 [6.250]	220	532448-8
	124.46 [4.900]	49	128.27 [5.050]	138.43 [5.450]	146.05 [5.750]	200	532448-7
	111.76 [4.400]	44	115.57 [4.550]	125.73 [4.950]	133.35 [5.250]	180	532448-6
	99.06 [3.900]	39	102.87 [4.050]	113.03 [4.450]	120.65 [4.750]	160	532448-5
	86.36 [3.400]	34	90.17 [3.550]	100.33 [3.950]	107.95 [4.250]	140	532448-4
	78.74 [3.100]	31	82.55 [3.250]	92.71 [3.650]	100.33 [3.950]	128	532448-3
	73.66 [2.900]	29	77.47 [3.050]	87.63 [3.450]	95.25 [3.750]	120	532448-2
	60.96 [2.400]	24	64.77 [2.550]	74.93 [2.950]	82.55 [3.250]	100	532448-1

E	D	C	B	A	POSN	PART NUMBER
DO NOT SCALE PRINT. UNLESS SPECIFIED. DIMENSIONS IN mm [INCHES] TOLERANCES ON: 2 PLC DEC ± 0.13 [.005] 3 PLC DEC ± - ANGLES ± -						
MATERIAL		DR 03/21/90 R.K. SEIFRIED		AMP AMP Incorporated Harriburg, PA 17105-3608		
FINISH		CHK 1/29/92 W MILLHIMES		NAME		
		APPD 1/29/92 W MILLHIMES		HDI, 4 ROW, PIN ASSEMBLY, 6.35 [.250] LONG ACTION PINS, .00076 [.000030] GOLD PLATE		
		APPD 1/29/92 W MILLHIMES		SIZE		
		PRODUCT SPEC		D 00779 532448		
		APPLICATION SPEC		CAGE CODE		
		WEIGHT		DRAWING NO		
				SCALE 4:1 SHEET 2 OF 2		